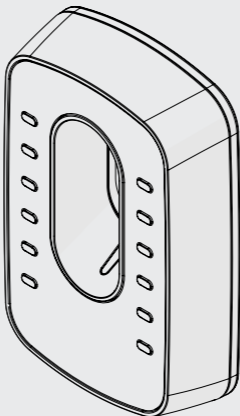


L8543209
02/2018 rev 2

IRI.KPAD



BENINCA[®]
TECHNOLOGY TO OPEN



UNIONE NAZIONALE COSTRUTTORI
AUTOMATISMI PER CANCELLI, PORTE
SERRANDE ED AFFINI



QUICK GUIDE

Entering an Administrator PIN*:

1. Press any key to activate the keyboard.
2. Type 123456 [default password], followed by #.
3. Press key 2 (2 beeps followed by a pause).
4. Type the Administrator PIN you want to insert (1 to 9 digits), followed by # (3 beeps followed by a pause)
5. Type 2 for ARC-type receiving devices (or 1 for HCS or 3 for fixed code).
6. The device emits 2 beeps and exits programming. The Administrator PIN is registered in the memory.

Sending the stored code:

7. Press any key to activate the keyboard.
8. Type the previously stored Administrator PIN, followed by #.
9. 2 beeps and two flashes of the green central LED signal the successful radio transmission of the PIN.

*IMPORTANT:

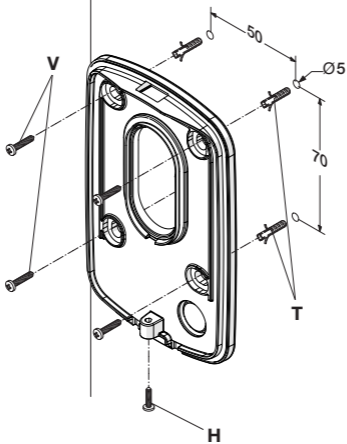
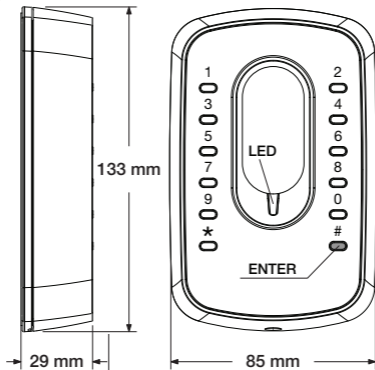
This procedure stores a numerical code to be sent to the radio receiver.

Subsequently, it is necessary to memorize this numerical code in the radio receiver, following the indications in the specific instructions.

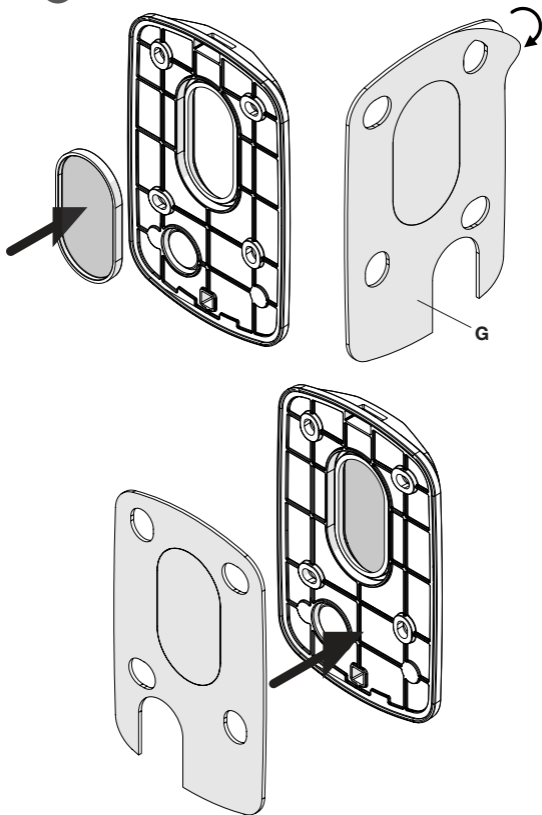
We recommend that you personalize the device password, write down the password and KEEP IT IN A SAFE PLACE for future maintenance.

The device is compatible with the different types of the Benincà receivers; the type of encoding used by the numerical code is established in point 5 of the insertion procedure. Different codes may use different types of encoding.

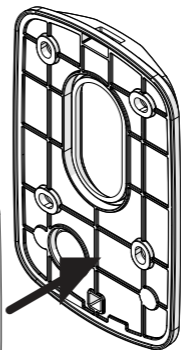
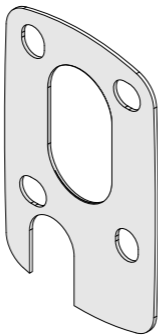
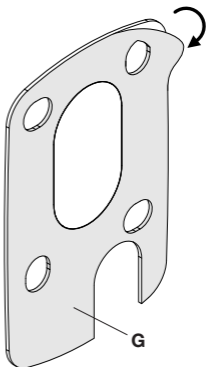
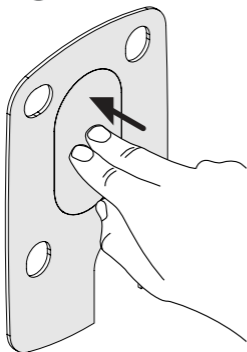
1



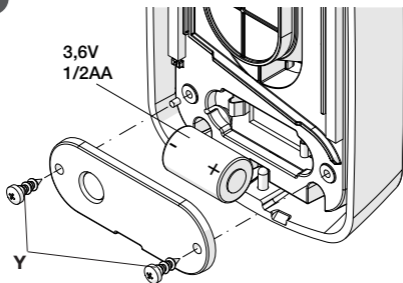
2



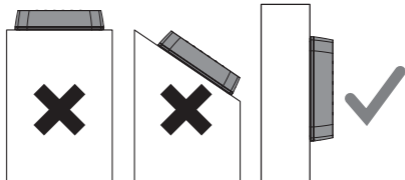
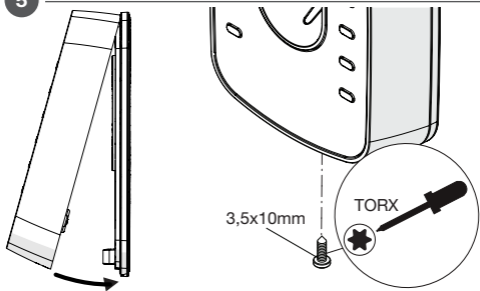
3



4



5



1) IRI.KPAD

1.1) DESCRIPTION

Programmable wireless digital keypad.

It allows to carry out the control of automatic systems for gates and similar systems, with no need to lay any cables.

IRI.KPAD is powered by one 3,6V 1/2 AA battery and transmits the radiofrequency control to another transmitter in a similar way. The main characteristics are:

- LED retro light.
- Compatible with all Benincà radio receiver models with 433.92 MHz operating frequency.
- Type of code: programmable code, rolling- code and ARC (advanced rolling-code).
- 1 to 9 digit code composition.
- 0 to 9 keys plus # or ★ to confirm.
- Possible setting of access password, scalar code and elimination of single codes.
- Possible enabling of the # key for code repetition.
- Indication of down battery and buzzer for acoustic indications.

1.2) TECHNICAL DATA

Power supply	One 3,6V 1/2AA lithium battery (Li) 1400 mAh
Range without obstacles	100m
Operating frequency	433,92 MHz
Operating temperature	-20°C / +70°C
Number of storable codes	254
Protection level	IP55
Overall dimensions	see Fig.1

1.3) WALL INSTALLATION (FIG. 1)

WARNING: As the various programming phases require an access to the radio receiver of the system, it is advisable to fix the keypad to wall only after programming all functions. The IP55 protection level permits to use the keypad also on walls that are not protected against weather agents.

It is however advisable, whenever possible, to apply the system on a protected wall.

In any case, it is mandatory to apply the G gasket between wall and container. (FIG.2-3)

1. Open the container by loosening the screw H. Screw H is a 3.5 mm TORX security screw, supplied with a special screwdriver.
2. Apply the bottom of the container to wall by using either the two plugs T and the two screws C, if a masonry support is provided, or self-tapering screws, if a metal support of provided: in any case, use a fixing suitable to the support.
3. Close the container.

Note: The central part of the keypad can be removed to leave the underlying part visible. In this case, remove the center part of the gasket and apply it to the support after removing the central cover (Fig.2).

Otherwise, leave the cover in place, and apply the entire adhesive gasket (Fig. 3).

1.4) HOW TO REPLACE THE BATTERIES (FIG. 4)

IRI.KPAD is supplied with a 3.6V 1/2 AA battery that is not inserted, in order to preserve battery life.

To insert the battery (or replace it when it is dead), proceed as follows:

Open the container by removing the screw H, Fig.2. Screw H is a 3.5 mm TORX security screw (fig.5), supplied with a special screwdriver. A battery removable cover is supplied on the rear part, fixed with the two screws Y, Fig.4.

Always replace both batteries with a new batterie 3,6V 1/2 AA, taking care of poles.

1.5) DURATION OF THE BATTERY

The battery life always depends on the frequency of use.

The following table indicates the indicative life of batteries according to their use:

N° Activations per day*	Battery life expected**	*Activations lasting about 10s **Average temperature 25° C
10	4 years	

2) PROGRAMMING

Before proceeding to the programming of the system, some aspects of the operating principles must be highlighted.

Before programming, carefully read all instructions.

2.1) ACCESS PASSWORD

The programming of the device is protected by an access password which should be immediately customized.

The factory-preset password is 123456.

Take note of the new password and keep it in a safe place for future uses.

If the password is lost, the device will have to be entirely reset, and all memorised codes will be removed.

2.2) TRANSMISSION OF THE ADMINISTRATOR PIN

Once an Administrator PIN is stored, the device behaves essentially like a normal radio transmitter, with the difference that it is possible to insert up to 255 different PINs and each single PIN can have different types of encoding (Rolling code ARC, Rolling code HCS, fixed code).

3) FUNCTION MENU

After activating the keypad, and typing the access password followed by #, access is enabled to the Function Menu (2 beeps are heard from the buzzer).

IRI.KPAD awaits that one of the 9 Menu available is selected. During this dwell time, a beep every 0.5sec is heard:

N.	Function
1	Change of access password for programming menu
2	Entering an Administrator PIN
3	Entering a User PIN (advanced function)
4	Cancellation of a PIN
5	Entering down counter (advanced function)
6	Configuration Menu of operation
7	Configuration Menu of proximity switch
8	Verification menu of the type of encoding of a stored PIN
9	Enable Menu of # button for code repetition.

Press the desired menu button.

NOTE:

- The keypad is activated by pressing any key.
- Auto shut-off is 10 seconds. After this period of time the system must be switched on again, as described above.
- To exit a programming menu without making any changes, press #, or wait for 20 seconds (time-out time).
- A possible programming error is indicated with a long beep, IRI.KPAD then exits the programming phase.

MENUS DESCRIPTION:

MENU 1 (TO CUSTOMIZE THE ACCESS PASSWORD)

After typing key 1, the customization of the password phase is entered, indicated by 2 beeps followed by an interval.

- Type in the new password (6 digit) and press #.
- IRI.KPAD confirms the typing with 3 beeps followed by an interval.
- Type in the new password once more and press #.
- If the two digits are the same the password is stored in memory and the keypad returns to stand-by mode.

MENU 2 (TYPING IN OF ADMINISTRATOR PIN)

After typing key 2, the customization of the Administrator PIN code is entered, indicated by 2 beeps followed by an interval. The Administrator PIN can be composed of 1 to 9 digits.

- Type in the Administrator PIN and press #.

3 beeps, followed by an interval, are heard to confirm the operation.

The device is now waiting for a command which specifies the type of receiver coding to be used for the Administrator PIN just typed in:

- Press 1 for the Rolling-code receivers
- Press 2 for the ARC receivers
- Press 3 for the Fixed-code receivers

TO MEMORISE ADMINISTRATOR PIN IN THE RECEIVER

After programming the PINs as desired, it is necessary to store them in the receiver. When the receiver is waiting for a code to be stored, enter the PIN followed by #, IRI. KPAD will send the code to be stored in the receiver.

More than one receiver can be used, also with a different decoding, and in the event of multi-channel receivers, various codes can be matched to various channels. In the event of especially complex installations, it is advisable to make and carefully keep a diagram of the various receivers used, as well as their functions and related IRI.KPAD PINS matched to it.

MENU 3

See paragraph on Advanced Functions

MENU 4 (PIN ERASING)

After typing key 4, the erasing phase of the code is entered, indicated by 2 beeps followed by an interval.

- Type in the PIN to be erased and press #. Three beeps, followed by an interval, confirm the operation.

MENU 5

See paragraph on Advanced Functions

MENU 6 (OPERATION CONFIGURATION)

Through the Menu the following is possible:

- 1) Activate or deactivate the buzzer.
- 2) Switch the back light on and off.
- 3) Enable or disable keypad activation by pressing the asterisk (*) key. This only allows the asterisk key to activate the IRI.KPAD, again.
- 4) Enable or disable the first digit entered as re-activation of the device and first code entered. This will not require pressing again for re-activation before entering the code.
- 5) Enable or disable the system lock for 3 minutes after 5 wrong codes are entered, for greater security against attempts to force the code. Factory configuration includes functions 1-2 active and 3-4-5 disabled. After typing key 6, the password is required to have access to advanced functions. The password to have access to the advanced functions is 654321 and it is not customizable. Press 6, two beeps are heard, press 654321, press #, three beeps are heard followed by an interval, one of the sequences are required by the device as follows in menu 6.

	Function	Sequence
1	if the acoustic indicator is to be activated	Press 1 (4 beeps) then Press 1 (2 beeps as confirmation)
	if the acoustic indicator is to be deactivated	Press 1 (4 beeps) then Press 0 (2 beeps as confirmation)
2	if the back light is to be activated	Press 2 (4 beeps) then Press 1 (2 beeps as confirmation)
	if the back light is to be deactivated	Press 2 (4 beeps) then Press 0 (2 beeps as confirmation)
3	Press 3 (4 beeps), then press 1 (2 beeps confirm)	Enable re-activation with asterisk key (★)
	Press 3 (4 beeps), then press 0 (2 beeps confirm)	Disable re-activation with all keys.
4	Press 4 (4 beeps), then press 1 (2 beeps confirm)	Enable before pressing re-activation+code
	Press 4 (4 beeps), then press 0 (2 beeps confirm)	Disable before pressing re-activation+code
5	Press 5 (4 beeps), then press 1 (2 beeps confirm)	Enable 3 min. block after 5 wrong codes
	Press 5 (4 beeps), then press 0 (2 beeps confirm)	Disable 3 min. block after 5 wrong codes

MENU 7 (OPERATION AS PROXIMITY SWITCH)

By activating this function, the keypad sends a radio control also when the system is activated (first touch).

This might be useful, for example, to activate a courtesy light in the keypad area.

Around 2 seconds are needed for this function at every activation of the device.

During this period of time it is not possible to type any access codes.

After typing key 7, the function activation phase is entered, indicated with 2 beeps followed by an interval. In the factory configuration this function is disabled.

- Type in 1 if the function is to be activated

- Type in 0 if the function is to be deactivated.

If 1 is typed in, three beeps followed by an interval are heard.

The device awaits for the command to specify the coding type of the code which will be transmitted when the IRI.KPAD is activated.

- Type 1 > (2 beeps) if a Rolling-Code is desired.

- Type 2 > (2 beeps) if an Advanced rolling code (ARC) is desired.

- Type 3 >(2 beeps) if a Fixed Code is desired.

Note: If you are using only one receiver, the type of encoding must match that of the Administrator PIN entered.

MENU 8 (TO CHECK THE CODING TYPE)

If allows to check the type of radio coding related to a determined code stored in memory. After typing key 8, two beeps followed by an interval are heard.

The system is waiting for the code.

- Type the code to be checked followed by #.

If the code is memorised, IRI.KPAD replies with 1, 2 or 3 beeps:

- 1 beep: Rolling-code

- 2 beeps: Advanced rolling code (ARC)

- 3 beeps: Fixed Code

MENU 9 (CODE REPETITION ACTIVATION WITH #)

Through this function it is possible to enable the button, # as code "repeater", during the 20 seconds following the code introduction.

This function might be useful to check the automatic systems preset with Step-by-Step cycle operation (e.g.OPEN>STOP>CLOSE>STOP>OPEN>).

After 20 seconds, the system exits the repetition mode and a new valid code shall be typed in again.

In the factory configuration this function is disabled.

After typing key 9, two beeps followed by an interval are heard.

The system enters a wait state.

- Type in 1 if the function is to be activated.

- Type in 0 if the function is to be deactivated.

Then, three beeps are heard followed by an interval.

The device activates or deactivates the function and exits the programming mode.

COMPLETE MEMORY RESET

1. Remove the battery (if inserted), and wait 10s

2. Replace the battery and wait for device initialization (2 beep)

3. Now type in the memory reset password "1234567890", followed by #.

4. An intermittent buzz can be heard to indicate that the memory has been erased.

The reset restored the factory presetting. All customized codes and settings are removed.

RAPIDLY MEMORIZING ADMINISTRATOR PINS.

1. Remove the battery (if inserted), and wait for 10s.

2. Press and hold key 1 if the receiver is Rolling Code HCS, 2 if it is Rolling Code ARC, and 3 if it is in Fixed Code.

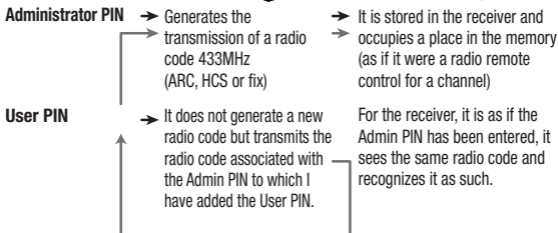
3. Reinsert the battery while holding down the key. The alarm emits a signal (1 long beep - pause - short beep).

4. Enter the Administrator PIN to memorize followed by #.

5. The alarm emits 3 beeps to confirm memorization.

4) ADVANCED FUNCTIONS

Some of the device's advanced functions are described below.



USER PIN

“User PIN” means a PIN connected to an already existing “Administrator PIN” in the keypad, and of which it assumes the functionality.

The utility of creating one or more “User PINs” connected to an “Administrator PIN” is to allow hierarchical access management.

For example, in the case of a residential building installation in which several users access a common gate, the installer can store a single “Administrator PIN” in the keypad and associate it to the gate receiver. Then a “User PIN” can be created for each tenant of the residential building and they can all be associated to the same “Administrator PIN”. The advantage is that the association between the keypad and the receiver should be made only for the “Administrator PIN” (therefore only once) and furthermore you can decide whether to disable individual “User PINs” to block the access of specific users, or to add new ones in the case of new users, always without accessing the receiver.

On the last page of this manual is a table that can be used as a model for reference to the codes used (recommended in the case of complex installations).

IMPORTANT: Never use too simple or easily traceable numbers in the encoding. IRI.KPAD can store a total of 254 codes, which can be either “Administrator PIN” or “User PIN”.

MENU 3 (USER PIN INSERTION)

After typing key 3, the customization of the User PIN is entered, indicated by 2 beeps followed by an interval.

The User PIN can be composed of 1 to 9 digits.

- Digit the Administrator PIN (followed by #) to which the User PIN code should be matched (it will be typed in after). If the typed in Administrator PIN is not valid, an error is shown. If the PIN is valid, three beeps are heard and the device awaits that the User PIN be typed in.

- Type the User PIN and then press #. The code will be matched to the Administrator PIN typed in before. The User PIN will take the coding type and the transmitted radio code from the Administrator PIN.

MENU 5 (SPECIFICATION OF SCALAR COUNTER)

This function can only be used with User PIN and allows to assign a defined number of transmissions of the code, after which the code is deactivated automatically.

- Type in the User PIN code to which a scalar counter should be matched. Then press #. If the User PIN is actually present, three beeps, followed by an interval are heard.

The following phase is entered in which the counter value is specified.

- Digit a number between 1 and 999 and press #. Device confirm with 2 beeps and exit from menu.

When new codes are typed in, the matched counter is then decreased. When the counter reaches zero, the matched code is removed from memory.

5) DISPOSAL



When the product is out of order, it must be disposed according to regulations in force on waste disposal and recycling of the various components (metal, plastics, electrical wires, etc.). For this purpose, it is advisable to contact your installer or a specialised company.

The most recent and complete certificate of conformity is available consulting the site: www.beninca.com or can be requested from:

Automatismi Benincà S.p.A - Sandrigo VI - Italy.



AUTOMATISMI BENINCA SpA

Via Capitello, 45 - 36066 Sandrigo (VI) ITALY

Tel. 0444 751030 r.a. - Fax 0444 759728

www.beninca.com - sales@beninca.it