

ELECTRADROP

LOCINOX[®]
WWW.LOCINOX.COM

USER GUIDE

- ENGLISH
- NEDERLANDS
- FRANÇAIS
- DEUTSCH



Copyright

Copyright © 2012 Locinox. All rights reserved.

This product incorporates copyright protected technology that is protected by a number of EU patent method claims and other intellectual property rights owned by the Locinox Corporation and other rightholders.

Use of this copyright protected technology must be authorized by the Locinox Corporation. Reverse engineering or disassembly is prohibited. No part of this publication can either be reproduced, communicated, transcribed, stored in a retrieval system or be translated into any language in any form or by any means, whether electronic, mechanical, magnetic, optical, chemical, manual or otherwise, unless explicit written consent has been given by the copyright holder.

Notice

The contents of this publication is subject to change. The company reserves the right to alter the contents of this publication at any time and without notice. The contents of this publication may contain inaccuracies or typographical errors and is supplied for informational use only.

Technical Support

If you require any additional information or assistance during the installation, please contact your dealer, who will be able to provide the latest information. Alternatively, you can visit the Locinox website for more technical information or e-mail us on locinox@locinox.com

Contents

Copyright © 2012 Locinox 03

English

1. Introduction 06
2. Package content & Dimensions 06
3. Characteristics of the Electradrop 07
4. Electrical Specification 08
5. Time circuitry 08
6. Mounting 09
7. Electrical Wiring 09
8. FAQ 12

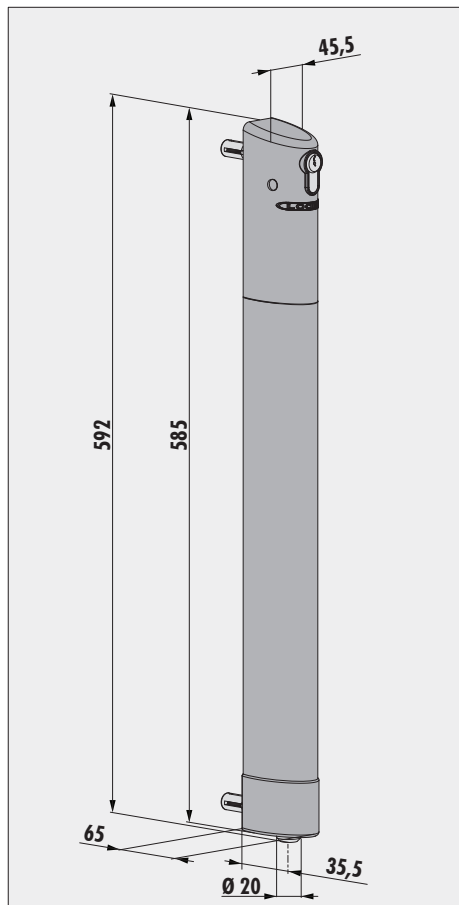
Manual - English

1. Introduction

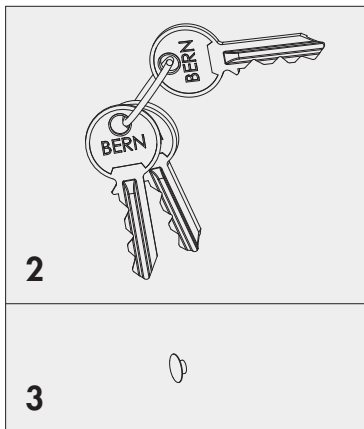
Thank you for choosing a Locinox electrical dropbolt! Please read the following instructions thoroughly before mounting the Electradrop. Enclosed you will find all relevant user information concerning the Electradrop.

2. Package Contents & Dimensions

Please check if your package contains the following items:



1



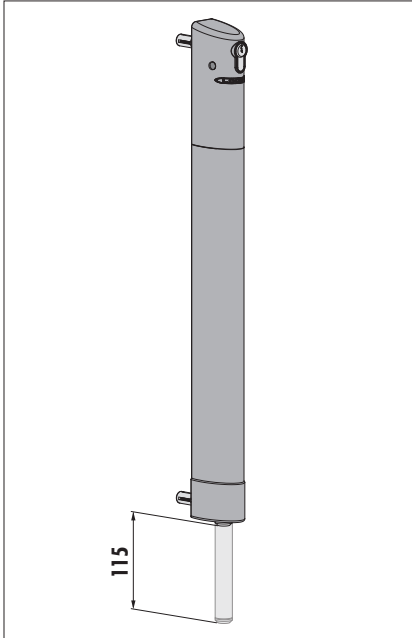
1	Electrical dropbolt (1x) & connecting cable 5 m with 5 x 0,5 mm ²
2	Cylinder keys (3x)
3	Polyamide cover cap (1x) for cylinder bolt protection

Please contact your supplier should any of the above items be damaged or missing.

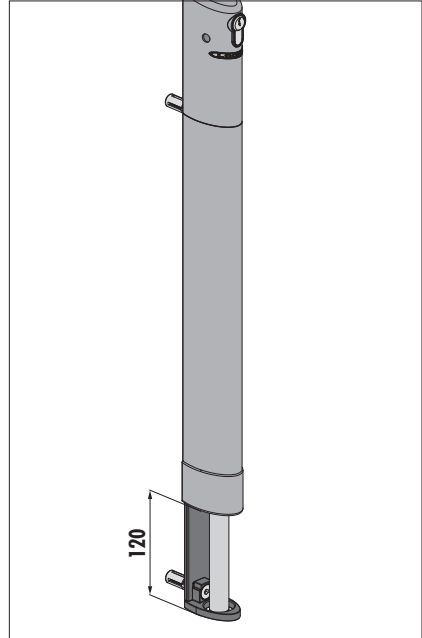
3. Characteristics of the Electradrop

- The Electradrop is an automatic drop bolt specially developed for outside use in combination with automatic swing gates.
- The product has a powder-coated aluminium / stainless steel casing and a stainless steel drop-pin.
- Anti - theft and vandalism proof fixing concept.
- Easy emergency opening in case of power failure by unlocking the cylinder. Afterwards, you can slide up the Electradrop 120mm.
- Cylinder type: europrofile cylinder 27/10, (Locinox cylinder code: **3012G21Z**).
- The Electradrop needs to be connected to the warning light (flashing light) output signal. This signal must have a delay of 3 seconds minimum before activating the opening sequence. If the Electradrop receives a pulsing signal: the drop bolt will go down 2 seconds after the signal stops. If the Electradrop receives a continuous control signal: the drop bolt will go down immediately after the control signal stops.
- Throw: 115mm
- Obstacle detection: Once the Electradrop encounters any obstacle in the downward movement, it will automatically stop at this position. The dropbolt develops a downward force of 18kg during his movement.
- Relay output for upper position detection of the bolt (connection position 3-4; 2 black wires of the cable).
- Installation with Locinox groundstop, type OGS.

Throw: 115 mm



Emergency opening: 120 mm

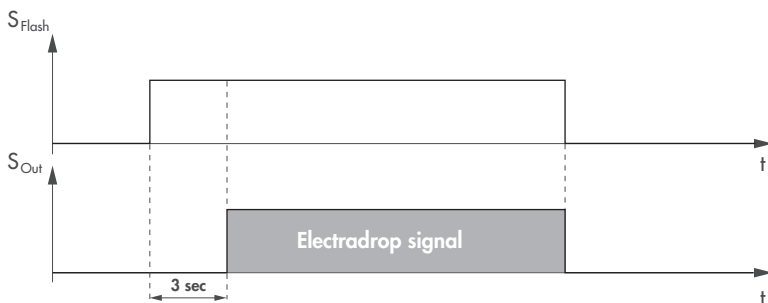
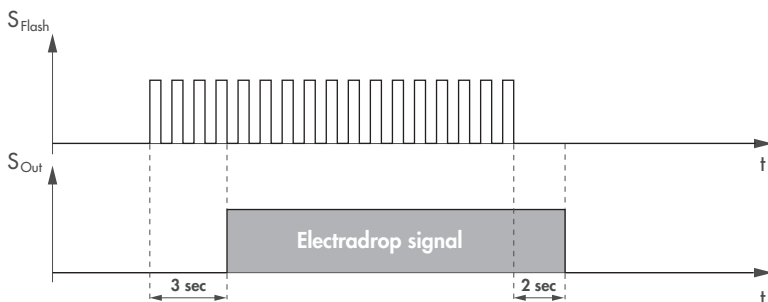


4. Electrical Specification

To connect to a Locinox DC-POWER-24V/25W power supply

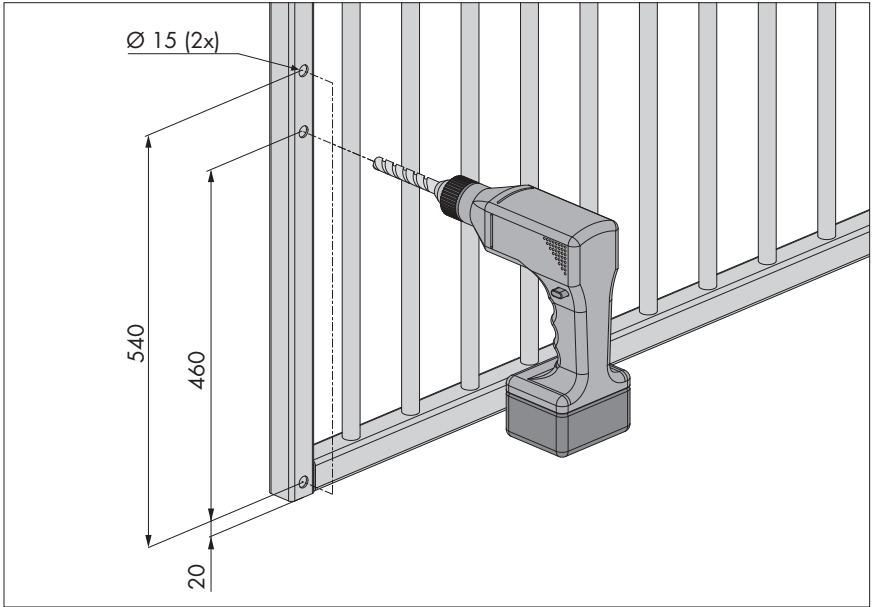
Voltage	24V DC (polarity secured)
Power consumption	25 W
Power consumption at rest	0,2 W
Insulation class	□
Maximum switching voltage of the contact (3-4)	200V (DC or peak AC)
Maximum switching current of the contact (3-4)	1A (DC or peak AC)
Maximum switching power of the contact (3-4)	20W (Any DC combination of V and A should not exceed their individual limits.)

5. Time circuitry

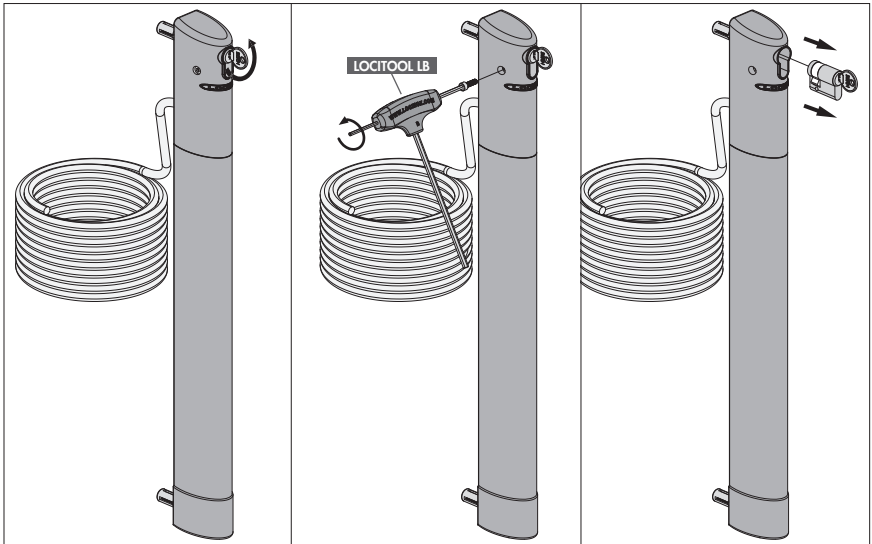


6. Mounting

Step 1: Gate preparation



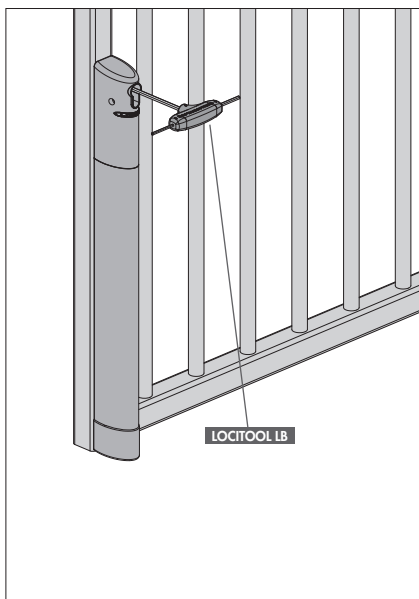
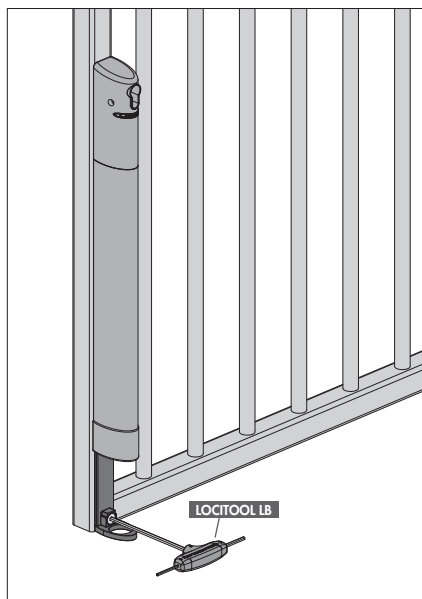
Step 2: Unlock the Electradrop and remove the cylinder



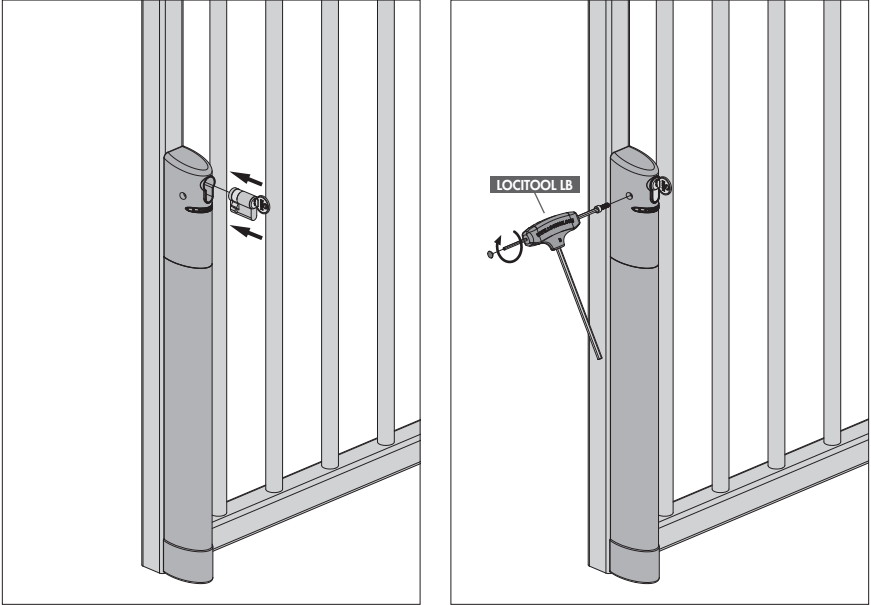
Step 3: Pull the cable through the gate profile



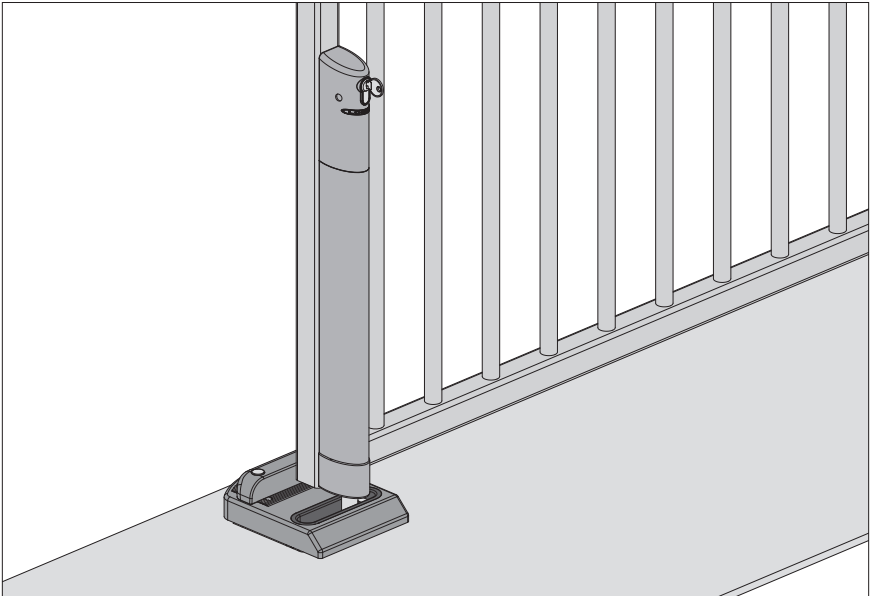
Step 4: Mounting the Electadrop



Step 5: Mount the cylinder



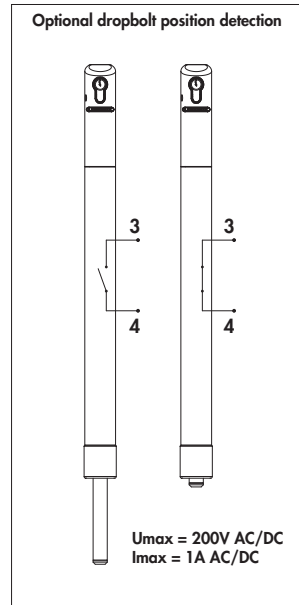
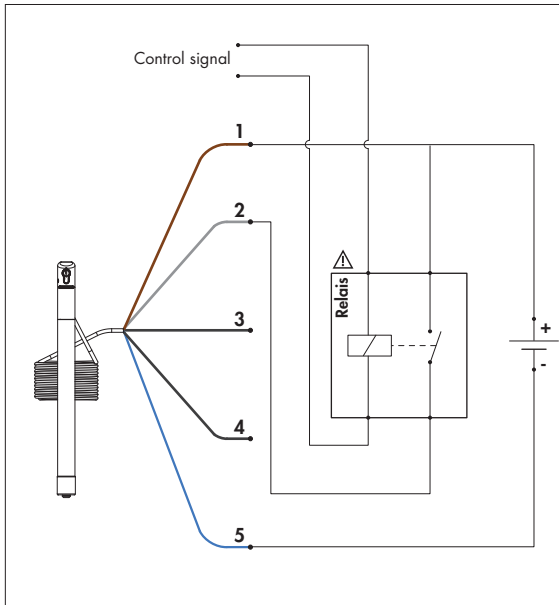
Step 6: Use the Electradrop in combination with the Locinox OGS groundstop



7. Electrical Wiring

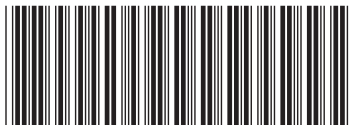
⚠ Choice of the relay: The type of relay that needs to be selected depends on the type of flashing light of the system. For example: When you use a 230V flashing light, you should use a relay with a voltage of 230V.

1	Brown	Plus-pole of the power supply 24 V DC (+)
2	Grey	Warning light (flasher) coming from the relay
3	Black	Optional: Reading out the position of the dropbolt.
4	Black (or White)	
5	Blue	Nul-pole of the power supply 0 V DC (-)
Control signal		Connecting parallel over the flashing light of the gate.



8. FAQ

- What happens if the ground stop is contaminated with eg. sand ?
Due to the internal obstacle detection, the extending bolt of the Electradrop will stop sliding down whenever he encounters an obstacle.
- What happens if the power cable of the Electradrop is cut through ?
The Electradrop will remain in its current position
- In case of power failure, how can I remove the Electradrop ?
The Electradrop can be unlocked by the cylinder so you can slide up the Electradrop afterwards.



* M A N U - 0 0 0 1 0 0 *

2014-12-16 - rev 2

Copyright © 2012 Locinox. All rights reserved.
All specifications and figures are subject to change without notice.

Locinox nv - Mannebeekstraat 21 - B-8790 - Waregem - Belgium
Tel. +32 (0)56 77 27 66 - Fax. +32 (0)56 77 69 26
E-mail: locinox@locinox.com - Web: www.locinox.com