



CISA Safe Home

Security solutions  
for your gates



www.cisa.com

# CISA Elettrika

“Elettrika”, the electrically operated lock by CISA, is the ideal solution for controlling the opening and closing cycle of all types of doors and gates, guaranteeing high resistance to breaking.

## MAIN FEATURES AND BENEFITS:

- Rotary hook dead-bolt for increased resistance to breaking
- Self-adjusting striker ensuring perfect gate closure over time
- Steel cylinder protective rose
- Electric release system for increased resistance to vibrations and impact strength



 **ELETTRIkA**  
BELLA ROBUSTA AFFIDABILE

# CISA Elettrika

## PATENTED SECURITY AND RELIABILITY

- Rotary hook dead-bolt for a pull resistance of up to 2,000 Kg: up to six times that of standard locks
- Protective steel case preventing accessibility to the lock's internal components, the electrical connection and the fixing screws, when the gate is closed
- Elettrika guarantees constancy of operation for more than 1,000.000 opening cycles. The ability to endure at least 200,000 opening and closing cycles is one of the requirements specified by the European standard EN 12209 to obtain relevant certification

## COMFORT AND DESIGN

- The reloading system of Elettrika ensures silent opening and closing operation as there is no need to slam the gate closed as is the case with other standard locks
- The rotary hook dead-bolt allows to reduce the gate rebound effect during closing, typical of other standard electrically operated locks
- Elettrika perfectly matches any type of door or gate shape and style



# CISA Elettrika

## MAXIMUM FLEXIBILITY

Elettrika can be installed on all types of doors and gates with maximum flexibility:

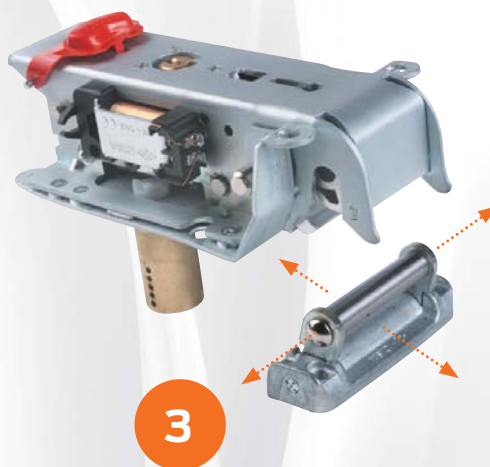
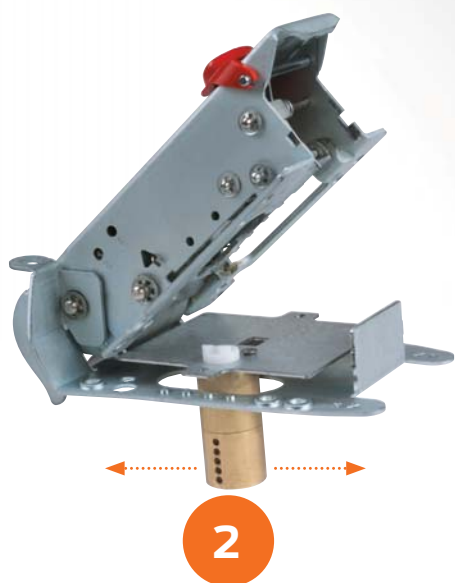
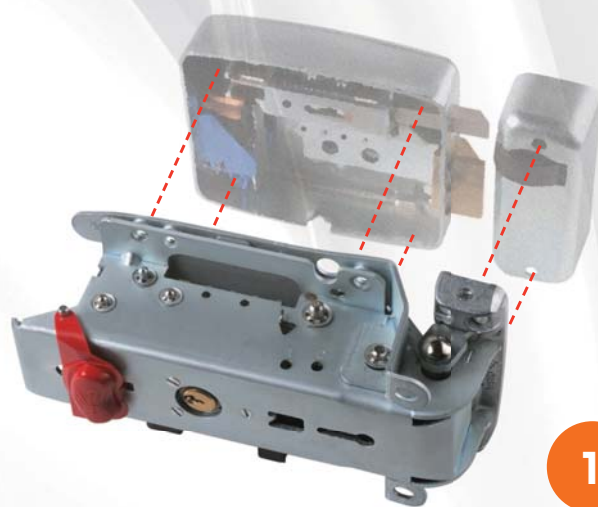
- non handed: it can be easily adapted to suit either right or left opening doors (fig. 2), with just one simple operation (patented system)
- variable backset from 50 to 80 mm (fig. 2) (patented system)
- self-adjusting striker (fig. 3) active both vertically (gate uprights) and horizontally (variable distance between gate leaf and gate frame) (patented system).

The rotary hook dead-bolt of Elettrika can be operated in two different modes (patented system):

- automatic opening: the door is opened by the deadbolt rotation
- ready to open: the deadbolt is released but the door remains closed; you must push to open it. The operation mode is selected by acting directly on the lock.

Elettrika is interchangeable with all types of electrically operated locks found on the market (fig. 1).

This interchangeability is possible because the screw holes are positioned to match other electrically operated locks (see the red dotted lines in the figure below).





### Technical features

- Protective steel casing
- Rotary hook dead-bolt in extruded aluminium
- Metal striker with STAINLESS steel “swinging rod”
- Coated internal components
- Power supply: 12V a.c. CE
- Absorbed current: 3A

### Operation

- From outside with a key
- From inside with a push-button or a key plus electric remote control

### Supplied as standard

- Striker
- Single or double cylinder
- Fixing screws
- Fixing plates (if required)
- 2 spacers for the striker
- Instruction sheet
- 3 keys item 1.01070.10.1

### Hand

- Non handed

### Finishes

- Zinc coated epoxy powder paint in grey

### Standards

- Certified to EN 14846:08: Grade 6 Security (2,000 Kg lateral force)

