

AUTOMATIC BARRIER

LUXE-SE

230 V

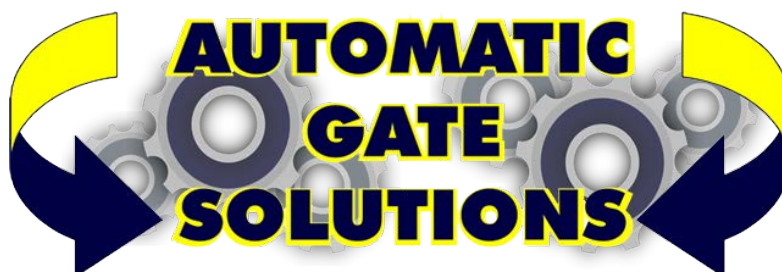
For booms
up to 3 m

Opening time
2,2 s



800LUXE-SE Dx/Sx

230 V barrier kit with 3 m boom, boom fixing support and spring included. The barrier has a painted steel cabinet and is complete with built-in electronic control unit and 433,2 MHz rolling code radio receiver.



www.automaticgatesolutions.com.au



MADE IN ITALY

FEATURES:

- residential/commercial use
- opening time 2,2 seconds
- steel cabinet protected by galvanic zinc coating and painted with epoxy powders
- pre-balanced boom and spring included
- stroke adjustment through electric limit switches

PROS:

- intensive use
- fast opening with soft start and soft stop
- ideal for busy entrances and car parks
- possibility to install photocells and flashing lights directly on the barrier cabinet
- electronic board positioned on the upper compartment for quick and easy access



PLUG & PLAY

The barrier is pre-balanced with the boom and the spring supplied and its stroke and deceleration already programmed, so it is ready to be put into operation.



RELIABILITY

The 230 Volt gearmotor and the mechanics used to move the boom are made with very high quality raw materials (steel and bronze).



ILLUMINATED CABINET (optional)

Led flashing light strip, integrated in the upper part of the barrier and combinable with the boom, to signal the movement. Also available in traffic light version (optional).

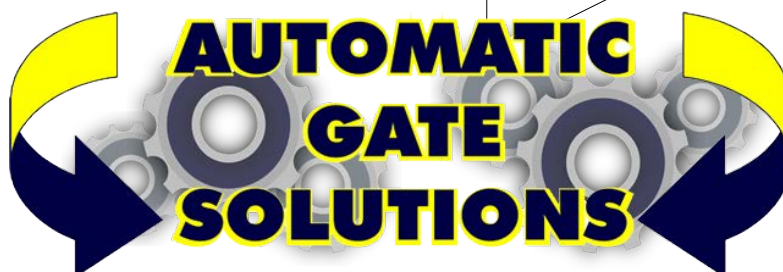
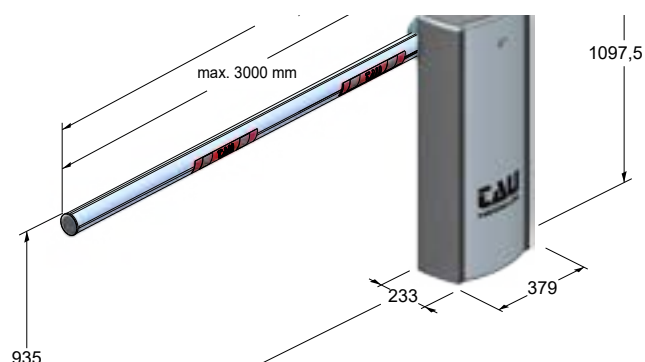


K101M

230 V control unit with integrated 433 MHz rolling code receiver. Set up for the use of the TauApp for adjustments and of the Tau Open for remote control via smartphone.

TECHNICAL DRAWINGS

Technical features	LUXE-SE
Power supply	230 V AC (50-60 Hz)
Motor power supply	230 V AC
Absorption	1,2 A
Power rating	180 W
Min. opening time 90°	2,2 s
Duty cycle	120/h
Operating temperature	-20° C ÷ +55° C
Degree of protection	IP 54
Max. width of passage clearance	2,7 m
Electronic control unit	K101M
Endurance test	more than 1.000.000 opening and closing maneuvers



www.automaticgatesolutions.com.au