

# Residential Wireless Exit Loop - MICRO

# VERSION 4

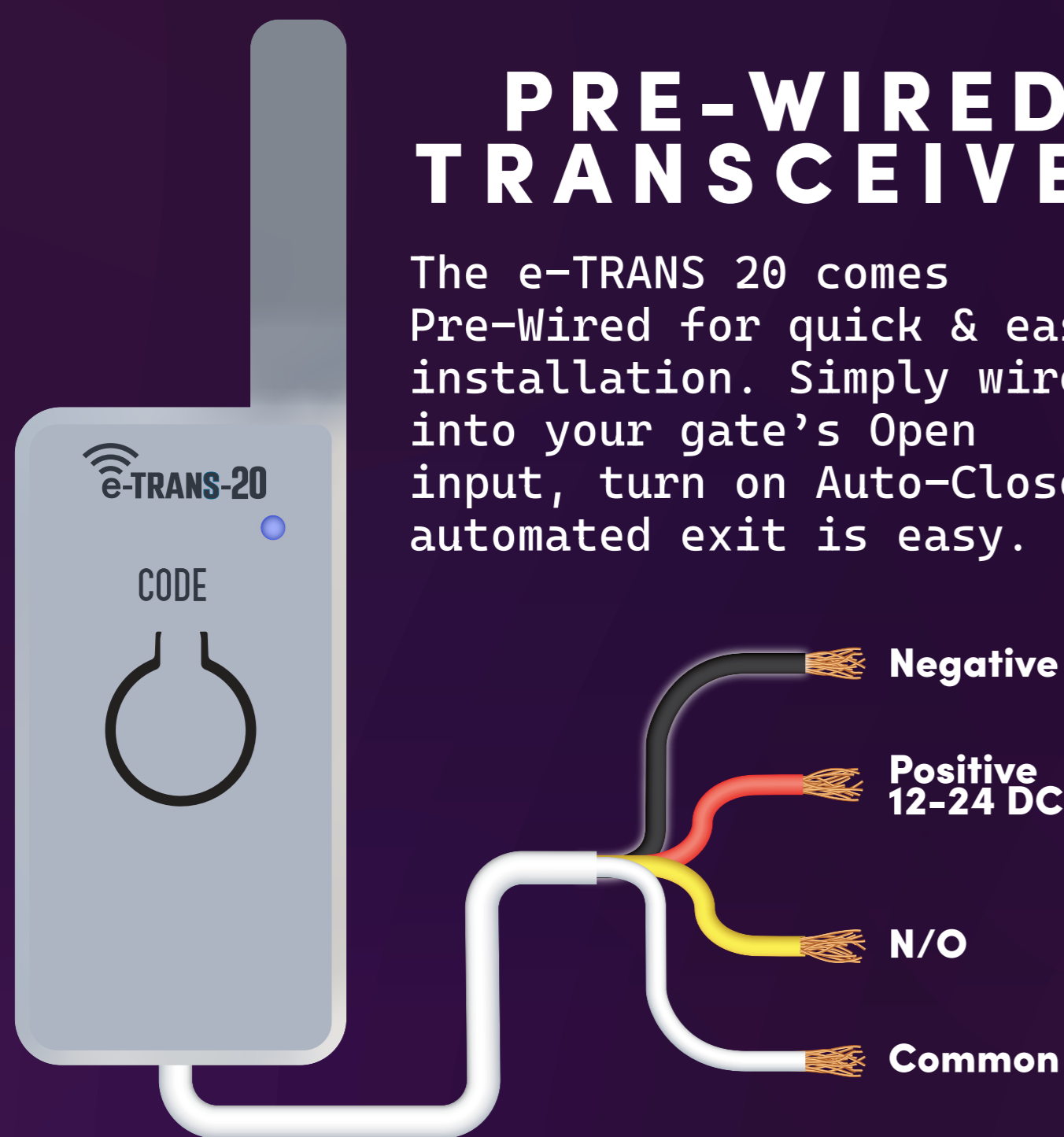
## ACCESSIBLE AUTOMATION

The Micro makes Gate Automation so simple, it's a no-brainer to install one. Competitively priced & infinitely easier than cutting in a traditional induction loop. Simply peel back the adhesive backing & stick the loop down, wire up the Transceiver and code the two together for ultra-easy automation



## PRE-WIRED TRANSCIEVER

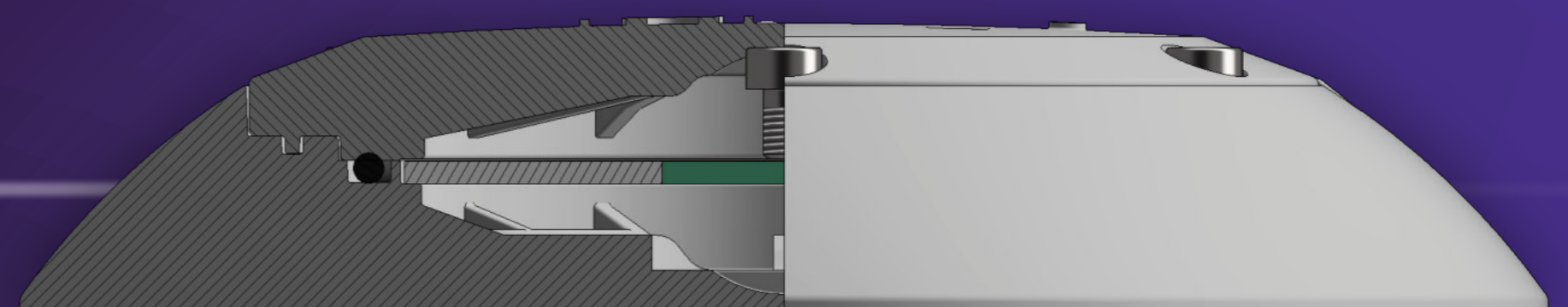
The e-TRANS 20 comes Pre-Wired for quick & easy installation. Simply wire into your gate's Open input, turn on Auto-Close & automated exit is easy.



## A COMPACT WARRIOR

The Micro might be small but it's certainly mighty. Built to withstand everything domestic traffic can throw at it.

- Ultra-Rigid polymer casing
- High tensile strength webbing
- 2 Tonne Static Load Capacity
- High Environmental Durability (IP68 Rating)
- Compact & Low profile (110mm Dia. 27mm Height)



### • Easily Serviceable Batteries

Up to 2 Years of Battery Life. Minimizing maintenance & downtime for critical applications. Using **Off-the-Shelf Lithium CR123A Camera Batteries**, replacement is easy than ever.

### • High Security Protection

New proprietary **Replay Attack protection**, securing the entire e-LOOP ecosystem from sophisticated wireless intrusion attempts. Ensuring site security.

### • Heavy-Duty Construction

The Micro is engineered to handle any day-to-day abuse. The design has been subjected to extensive load & environmental testing. Able to withstand a 2 Tonne Static Load event.

### • Install in Seconds

Version 4 Software includes an Increased radio range of 25 meters. (Line-of-sight)

# e-LOOP

## Micro | Exit

INDUSTRY LEADING FORMFACTOR

## Wireless Vehicle Detection System

Introducing a new concept in wireless vehicle detection innovation. The e-Loop rivals traditional induction loops in every way. With seamless installation, easy wireless setup and a delightfully inobtrusive design

### Installation in 3 Simple Steps

- 1 Code in the e-Loop
- 2 Fix the e-Loop Micro to your desired location with the included concrete screws.
- 3 Calibrate the e-Loop... and you're ready to operate in less than 30 minutes.

Save hours of installation time compared to wired loop systems.



### Kit Contents

- 1 x e-Loop Wireless Detection Module
- 1 x 12-24VDC Single Channel Transceiver
- 2 x Concrete Screws

### Features

- Magnetic Field Detection
- Quick and Easy Installation
- Compact Profile – Height: 27mm | Diameter: 110mm
- Not Effected by Ground Movement
- Replaceable CR123a Battery Provides up to 2 Years

#### Battery Life

- High Security 128 Bit Encryption
- 25 Metre Range
- Top access for easy battery changes

