

GATE OPERATOR

# T-ONE

**6B**    **10B**

**DC**  
MOTOR

Up to  
1000 kg

Speed  
14 m/min



## 350T-ONE6B

DC sliding gate operator with encoder, complete with electronic control unit and built-in 433,92 MHz rolling code radio receiver. Max. gate weight 600 kg.

## 350T-ONE10B

DC sliding gate operator with encoder, complete with electronic control unit and built-in 433,92 MHz rolling code radio receiver. Max. gate weight 1000 kg. Suitable for telescopic gates.



**Accessories for T-ONE series**  
Page 32



**Further accessories:**  
Transmitters page 234  
Photocells page 239  
Flashing lights page 242

**FEATURES:**

- residential/apartment building use
- for gates up to 1000 kg
- low voltage DC gate operator
- optical encoder technology (no limit switches required)
- electronic control unit with built-in two-channel receiver
- built-in battery charger

**PROS:**

- obstacle detection and crush prevention
- in accordance with EN 12453 standards
- works even during power outage thanks to the optional backup battery
- 35% faster than the 230 V version
- intensive use, ideal for use on apartment buildings and public entrances
- external emergency release available (optional, P/N 650ESE03)
- soft start and soft stop
- auto-learning of the gate stroke through optical encoder



**INTENSIVE USE**

100% continuous working cycle thanks to the low voltage DC motor.



**OPTICAL ENCODER**

Obstacle detection and anti-crushing safety ensured by the optical encoder. The encoder also manages the deceleration in the closing and opening phases and the adjustment of the gate stroke which doesn't require a limit switch.



**RELIABILITY**

Both 12 and 24 V versions work even during power outage thanks to the optional backup battery.

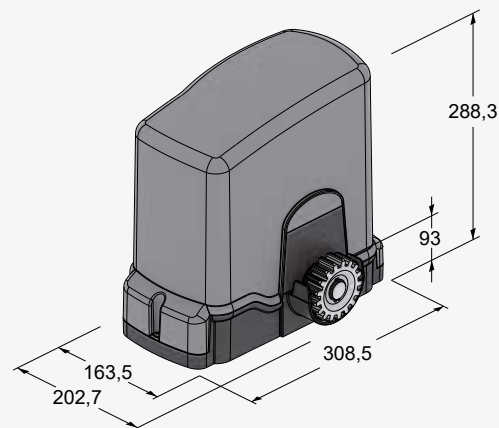


**TOTAL CONNECT**

By combining the 250T-CONNECT module, it is possible to control the automation remotely by your smartphone (only for T-ONE10B).

**TECHNICAL DRAWINGS**

Technical features	T-ONE6B	T-ONE10B
Power supply	230 V AC (50 - 60 Hz)	230 V AC (50 - 60 Hz)
Motor power supply	18 V DC	18 V DC
Open circuit voltage	1,05 A	1,1 A
Power rating	250 W	300 W
Max. operating speed	14 m/min	14 m/min
Duty cycle	100 %	100 %
Operating temperature	-20° C ÷ +55° C	-20° C ÷ +55° C
Motor thermal protection	-	-
Degree of protection	IP 54	IP 54
Max. gate leaf weight	600 kg	1000 kg
Max. weight cantilever gate leaf	420 kg	700 kg
Pinion module	4	4
Electronic control unit	K125M	K126MA



\*The use of the wireless safety edge system is necessary in order to certify an installation when the gate weight is more than 500 kg.



# KIT

**DC  
MOTOR**

Up to  
**600 kg**



## T-ONEKIT6BL

Complete automation kit for sliding gates up to 600 kg, with **350T-ONE6B** gate operator



## T-ONEKIT6BL2

Complete automation kit for sliding gates up to 600 kg, with **350T-ONE6B** gate operator

### Accessories included in the kit:



**900VLED** Low voltage 12-18-24 Volt white led flashing light



**300T-KEY + LED TSL** Die-cast aluminium key switch + LED courtesy light for T-KEY



**900OPTIC** Set of infrared safety photocells, 12/24 V, surface mount, beam alignment adjustable up to 15°, up to 20 m range



**400CPO** Counterplate



**250K-SLIMRP** Two-channel transmitter, rolling code technology, 433,92 MHz



**C-CRT** Warning signal

### Accessories included in the kit:



**900VLED** Low voltage 12-18-24 Volt white led flashing light



**900OPTIC** Set of infrared safety photocells, 12/24 V, surface mount, beam alignment adjustable up to 15°, up to 20 m range



**400CPO** Counterplate



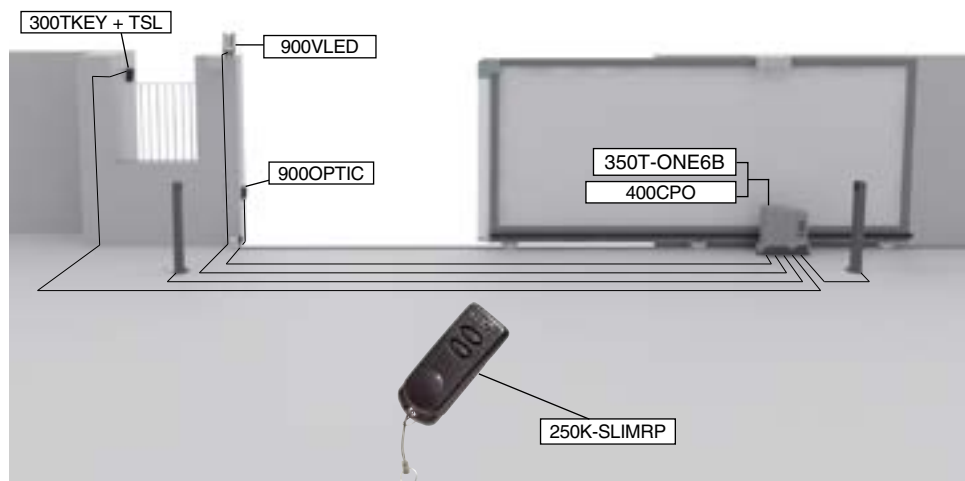
**250K-SLIMRP** Two-channel transmitter, rolling code technology, 433,92 MHz



**250K-SLIMRP** Two-channel transmitter, rolling code technology, 433,92 MHz



**C-CRT** Warning signal





# KIT

**DC  
MOTOR**

Up to  
**1000 kg**



## T-ONEKIT10BL

Complete automation kit for sliding gates up to 1000 kg, with **350T-ONE10B** gate operator



## T-ONEKIT10BL2

Complete automation kit for sliding gates up to 1000 kg, with **350T-ONE10B** gate operator

### Accessories included in the kit:

### Accessories included in the kit:



**900VLED** Low voltage 12-18-24 Volt white led flashing light



**900VLED** Low voltage 12-18-24 Volt white led flashing light



**300T-KEY + LED TSL** Die-cast aluminium key switch + LED courtesy light for T-KEY



**900OPTIC** Set of infrared safety photocells, 12/24 V, surface mount, beam alignment adjustable up to 15°, up to 20 m range



**900OPTIC** Set of infrared safety photocells, 12/24 V, surface mount, beam alignment adjustable up to 15°, up to 20 m range



**400CPO** Counterplate



**400CPO** Counterplate



**250K-SLIMRP** Two-channel transmitter, rolling code technology, 433,92 MHz



**250K-SLIMRP** Two-channel transmitter, rolling code technology, 433,92 MHz



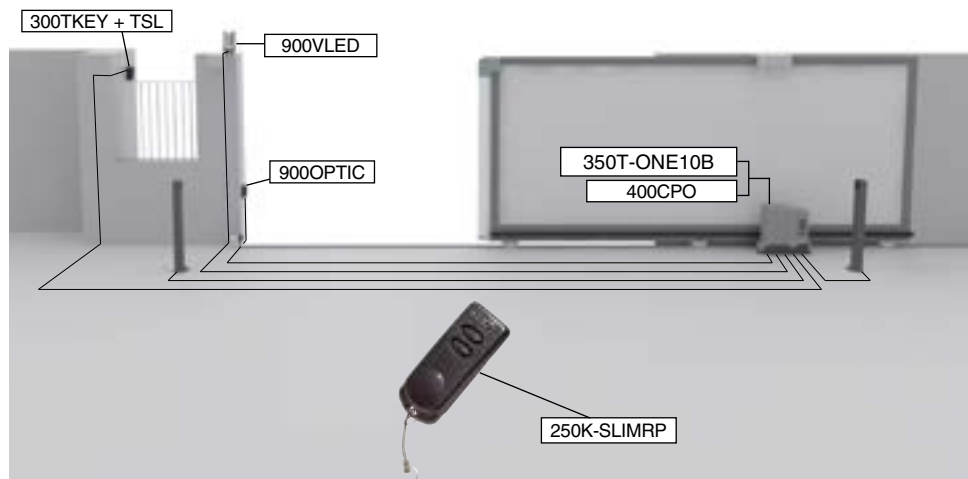
**250K-SLIMRP** Two-channel transmitter, rolling code technology, 433,92 MHz



**C-CRT** Warning signal



**C-CRT** Warning signal



# ACCESSORIES

## COMMON ACCESSORIES



**400CPO**  
Counterplate



**400CPE**  
40 mm overhead counterplate



**550CPMR**  
Adjustable counterplate from min. 65 mm to max. 94 mm



**550CPMR1**  
Adjustable counterplate from min. 124 to max. 202 mm



**400CPE75**  
75 mm overhead counterplate



**400VP40**  
Screws for 400CN (40 screws per pkg)



**400CN**  
Steel core, fibreglass reinforced, 22x22 nylon rack (Module 4, max 800 kg). Pack of 10 m



**400CFZ12**  
Steel rack 30x12, complete with screws (Module 4, max 2000 kg) Pack of 4 m



**400FI**  
Adjustable hydraulic brake for sliding gates on a slope (not suitable for mod.350T-ONE3B)

**NEW**



**650ESE03**  
External emergency release device (flush-mounted) with tamper-proof housing and 4 m cable



**900TWM**  
Wireless master receiver for max 8 safety edges



**700BAP4**  
Gate stopper with spring



**900TWC**  
Mobile wireless slave transmitter for safety edge



**900BSD15**  
Deformable safety edge kit  $l = 1,5$  m



**900OPTIC**  
Set of infrared safety photocells, 12/24 V, surface mount, beam alignment adjustable up to 15°, up to 20 m range



**900VLED**  
Low voltage 12-18-24 Volt white led flashing light



**900TOWERF**  
Photocell standard mounting post, painted aluminium, 49 cm, with removable cover for easy installation and photocell adjustment



**250T-CONNECT**  
Ethernet + Wi-Fi device - to enable through Tau Open application, the use of the smartphone remotely, to open/close and check the status of the gate

## ACCESSORIES FOR 18/24 VOLT



**200BATT**  
12 V back-up battery, 7,2 Ah with cable; for T-ONE6B, T-ONE8BR e T-ONE10B models



**900T-COMM**  
Interface for connecting two (2) control boards on master/slave mode; for T-ONE8BR and T-ONE10B models



**K-030KITKB20**  
Battery cables kit (20 pcs)



**200KB3**  
Battery charger and backup battery kit for T-ONE3B



**250SM126**  
Memory card for 126 radio codes; for T-ONE8BR and T-ONE10B models



**250SM254**  
Memory card for 254 radio codes; for T-ONE8BR and T-ONE10B models

## ACCESSORIES FOR 230 VOLT

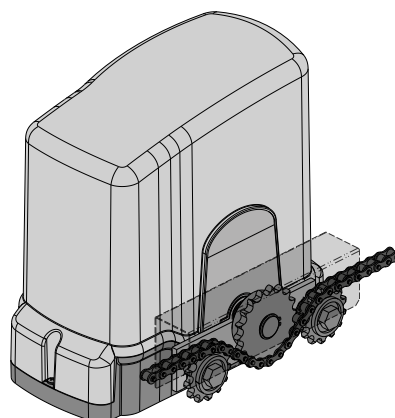


**400FCM**  
Magnetic limit switches

## CHAIN VARIANT



Upon request, the T-ONE gearmotor is available with the pinion for chain transmission and for foreign markets the 120 Volt variant is also available.



## Use and maintenance manuals



T-ONE



K120M



K125M



K126MA



K590M