

TOM3024E



CONTROL UNITS:

TOM3024E — BRAINY24^{PLUS}
 BRAINY24
 TRUST24

LINEAR TELESCOPIC OPERATOR



adjustable mechanical stops in opening and closing
 patented FACE gears
 bronze release wheel
 personalised release key

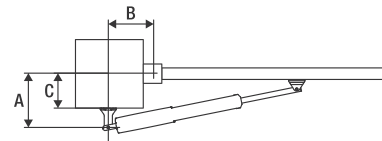
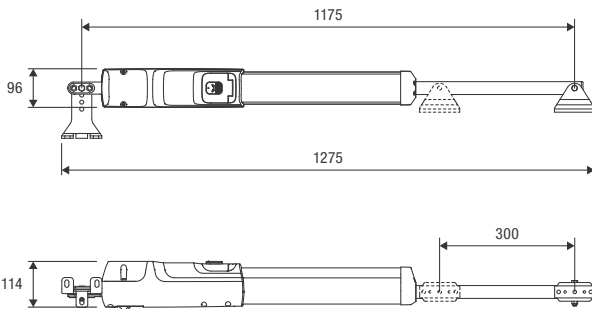
up to 3.0 m



Reliable and innovative gear motor, thanks to the 2 adjustable mechanical stops in opening and closing accessible from above and positioned under the metal cover of the shaft. Available in 230 Vac and 24 Vdc versions. Ideal for the automation of any type of swing gate thanks also to the compact footprints (only 96 mm width) and screw-in brackets. The 45° inclination of the wiring cable allows the distance from the ground to be reduced to a minimum. The rear and front brackets, aligned on the same axis, enable the better distribution of loads by optimizing the lifespan of the actuator. The worm screw protected by wiper ring and stainless steel shaft make it suitable for dusty or sandy environments, or places with aggressive weather conditions.

24 Vdc | intensive use

- Irreversible 24 Vdc electromechanical gear motor for intensive use equipped with encoder
- The TRUST24 control unit ensures power consumption in standby mode of < 0.8 W
- The encoder guarantees maximum safety and precision while the gate is moving
- Amperometric sensor obstacle detection system to prevent crushing
- Possibility of battery operation



A (mm)	B (mm)	C (mm)
100-182,5	110-200	25-110

TECHNICAL DATA	TOM3024E*
Motor supply	24 Vdc
Max absorbed current	5.5 A
Max Thrust	1500 N
Opening time	11"
Duty cycle	intensive use
Max stroke	300 mm
Protection level	IP44
Mechanical stops	YES
Limit switches	NO
Encoder	YES
Operating temperature	-20°C /+50°C
Leaf max dimension	3 m
Weight	9 kg

